

POP® PB2500

Battery Tool for Blind Rivets

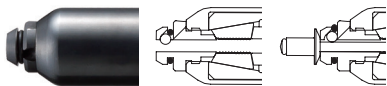


Gain the advantage.

- High capacity, compact and lightweight, with lithium ion battery and brushless motor
- Rest mandrel automatically dropped into collector
- Capacity: standard rivets \varnothing 2,4 – 4,8mm
- Tool weight 1,69kg – including battery
- Rivet holding mechanism
- 2,0Ah Li-Ion battery charges in 40 minutes
- Stroke: 25mm

Rivet holding mechanism

Rivets do not drop out – even when tool is set upside down



Integral mandrel collector

Large capacity collector stores up to **600** rest mandrels



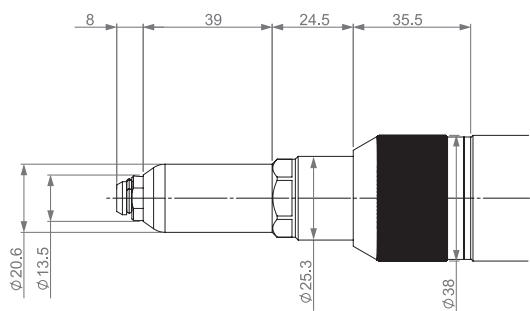
Easy nose housing removal

No tools needed to remove nose housing from jaw case



Specifications

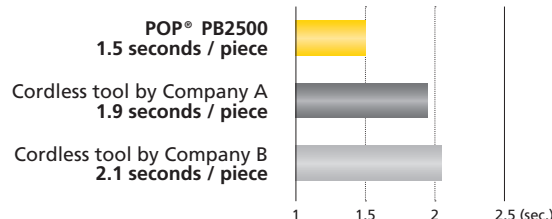
- Dimensions:** 320mm (L) x 240mm (H)
- Battery:** 18V Li-Ion 2,0Ah slim battery pack (POP® EBC183-QW) with charge indicator. 40 minute charge time
- Charger:** 20V Li-Ion (POP® EBC105-QW), with progress lamp display
- Stroke:** 25mm
- Sound:** 73,7 dB(A)
- Traction power:** 8,500 N
- Capacity:** Standard rivets \varnothing 2,4 – 4,8mm
- Weight:** 1,69 kg including battery



2,0Ah battery with charge indicator

High fastening speed

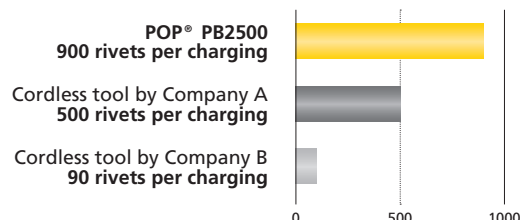
When fastening \varnothing 4,8mm steel POP® rivet



* Results based on Emhart in-house testing
* Measured the time from triggering the tool until returning to the state ready for inserting the next rivet

Long battery life

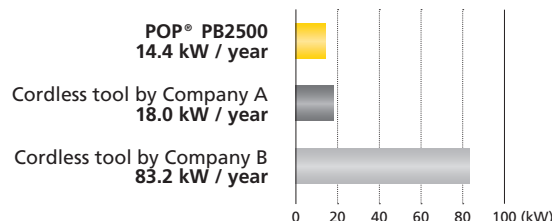
When fastening \varnothing 4,8mm steel POP® rivet



* Results based on Emhart in-house testing
* Number of rivets fastened with fully charged battery

Less energy consumption

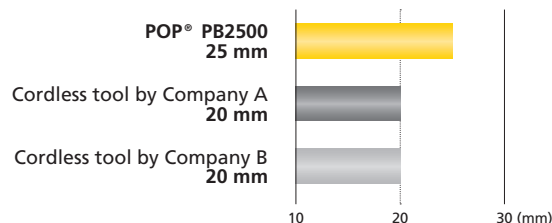
When fastening \varnothing 4,8mm steel POP® rivet



* Results based on Emhart in-house testing
* Calculated as fastening 480,000 rivets a year

Long stroke

When fastening \varnothing 4,8mm steel POP® rivet



* Results based on Emhart in-house testing